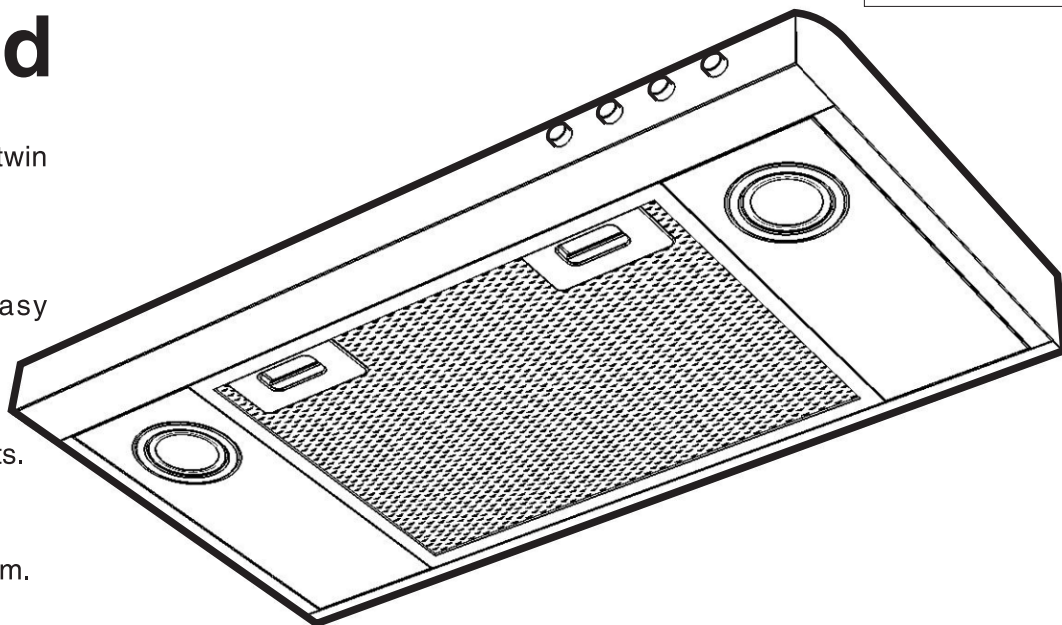


Rangehood

- Powerful 12V 2 speed twin extractor fans.
- Roof or rear air venting.
- Removable filter for easy cleaning and replacement.
- Illuminated control buttons.
- 2 x low energy LED down lights.
- Stainless steel construction.
- W586mm x D305mm x H60mm.



APPLICATION

Camec's range-hood is suitable for most 12V applications, including recreational vehicles, boats, cabins etc. It can be wall or island mounted with the ability to vent the exhaust gas through the roof or walls. It is especially suitable where cabinet width is less than the 600mm.

PERFORMANCE

The unit is equipped with two high performance 2 speed fans able to ensure the swift removal of cooking vapours, odours and heat. The high speed selection is perfect for the types of cooking renowned for high vapour emissions such as stir frying, griddle cooking and boiling, the lower speed is perfect for simmers etc.

QUIETNESS

The motor/impellor encasements are smooth walled to minimise air drag and noise.

SAFETY

The casing and mesh is made from non-flammable stainless steel and aluminium with minimal plastic components to minimise the risk of fire.

MAINTENANCE

Camec's range-hood is equipped with an Aluminium filter that requires periodic cleaning. The filter can be cleaned by unclipping it from the unit and either rinsing the filter under hot water or washing it in a dish washer. The stainless steel casing can be cleaned using most household surface cleaners. (Check label for suitability before use)

DUCTING

Camec's range-hood extracts the vapours directly into the atmosphere to ensure the maximum removal of grease/oil/particle-laden vapours plus odours and importantly heat, resulting in a cleaner, cooler and more comfortable work environment.

RECIRCULATION

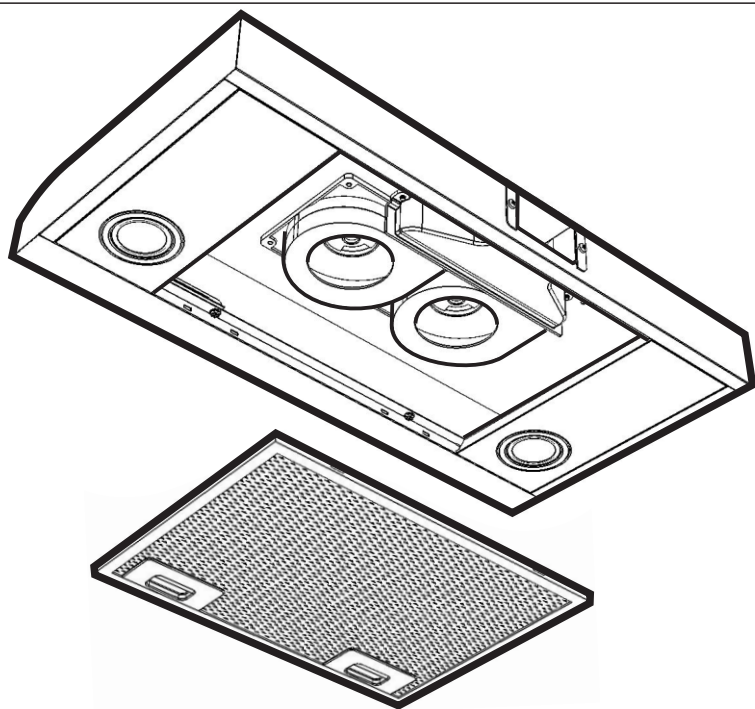
When exhaust vapours cannot be ducted to atmosphere, the filtered air can be redirected back into the kitchen via a duct pipe through the overhead cabinetry. However this is not recommended by the manufacturer.

Camec Turbo 1 & 2 rangehoods

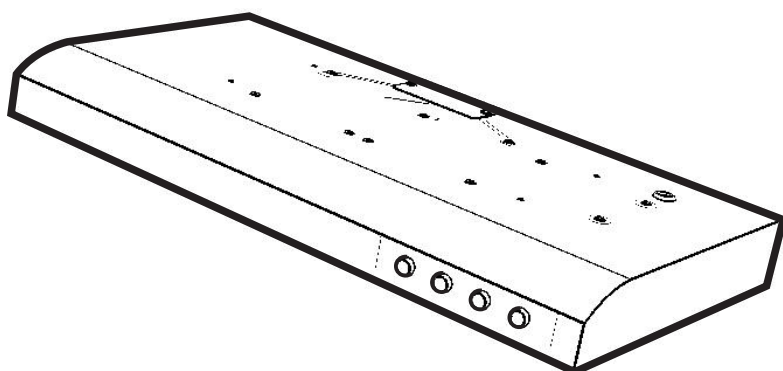
Part no. 040864

For built-in and under mount installations 59cm wide.

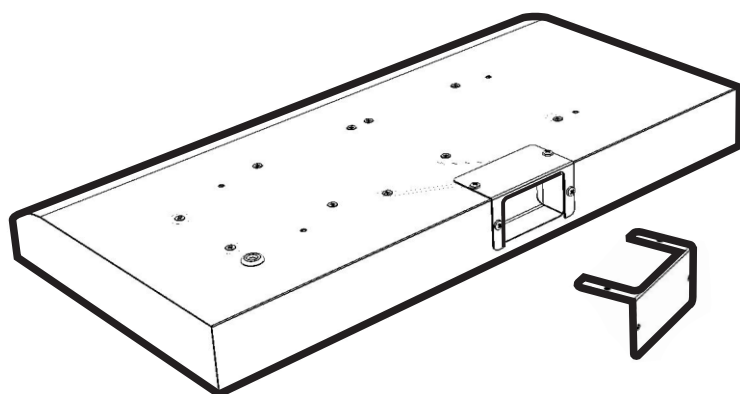
Part no. 040865



- 2 Powerful 12 Volt, twin speed extractor fans.
- 2 low energy LED down lights.
- Removable filter for easy cleaning and replacement.



- Stainless steel construction - Laser welded seams and burnished polish finish
- Illuminated control buttons - On / Off , illumination and fan speed.



- Roof or rear air venting - Simply undo 4 screws to remove rear duct, turn it upside down and replace.
- Dimensions:- W586mm, D305mm, H60mm

Technical specifications and product sizes can be varied by the manufacturer without notice. Cutouts for appliances should only be by physical product measurements. The information is indicative only.

Note: When installing this unit in a Recreational Vehicle please note the minimum separation between the under face of the rangehood and cooktop heating surfaces (ie gas flame aperture, electric element) must be a minimum of 450mm. For Domestic applications a minimum of 600mm above heating surfaces must be maintained.